

Sunmill
your best partner

VERTICAL MACHINING CENTER



www.sunmill-cnc.com

Sunmill
your best partner

JEENXI TECHNOLOGY CO., LTD.

No.46,20 Road,Taichung Industrial Park,
Nantun District,Taichung 40850,Taiwan

TEL: +886-4-23597868

FAX: +886-4-23597100

E-mail: jx@jeenxi.com.tw

Taipei Branch

No.33,Ln.,11,Wenlin,1st St.,Linkou Dist.,
New Taipei City 244,Taiwan

TEL: +886-2-26034358

FAX: +886-2-26034387

2020.09



Agent

JEENXI TECHNOLOGY CO.,LTD.

Linear Guideway Series

JHV-550APC

X/Y/Z travel:
550x400x460mm



JHV-550

X/Y/Z travel:
550x400x460mm



JHV-1100

X/Y/Z travel:
1100x650x610mm
(opt.Z=810)



JHV-1200

X/Y/Z travel:
1200x650x610mm
(opt.Z=810)



JHV-1300

X/Y/Z travel:
1300x750x700mm
(opt.Z=850)

JHV-1500

X/Y/Z travel:
1500x750x700mm
(opt.Z=850)

JHV-1600

X/Y/Z travel:
1600x750x700mm
(opt.Z=850)

JHV-710

X/Y/Z travel:
710x460x580mm



JHV-800

X/Y/Z travel:
800x500x580mm



JHV-850

X/Y/Z travel:
850x550x580mm

JHV-1020

X/Y/Z travel:
1020x550x580mm

JHV-1800

X/Y/Z travel:
1800x900x750mm
(opt.Z=1000)



JHV-2000

X/Y/Z travel:
2000x900x750mm
(opt.Z=1000)



Square Guideway Series

JMV-1100

X/Y/Z travel:
1100x600x600mm



JMV-1200A

X/Y/Z travel:
1200x650x600mm
(opt.Z=720/800)



JMV-1400

X/Y/Z travel:
1400x720x610mm
(opt.Z=680/700)



JMV-1600

X/Y/Z travel:
1600x850x750mm

JMV-1800

X/Y/Z travel:
1800x850x750mm



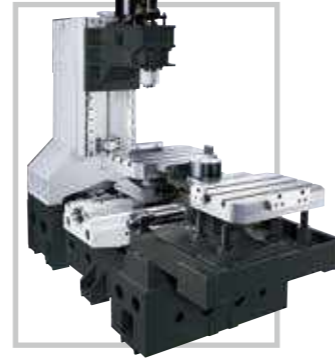
Linear Guideway Series

JHV-550APC



- **Auto Pallet Changers**

A,B Table driving by hydraulics to rotate in CW/CCW directions, complete the table exchange swiftly.



- **Coolant Flush Device for APC Shield**

Coolant flush will be activated automatically before APC exchange to clean chips and enable APC for orientation and clamping.

JHV-710 / JHV-800



- All axes is adopted precision linear guideways, which can move rapidly and support heavy load to ensure accurate positioning.
- The bottom of column is specially designed with A-shaped structure to increase machine stability while machining.



- Headstock is mounted spindle air blast system and spindle oil cooling device as standard to eliminate thermal growth by spindle high speed rotation, which ensure spindle accuracy and long lifetime.



- **Precision BallScrew**

Pre-tensioned ballscrews on three axes eliminate backlash and reducing thermal growth to maintain excellent accuracy.

JHV-550

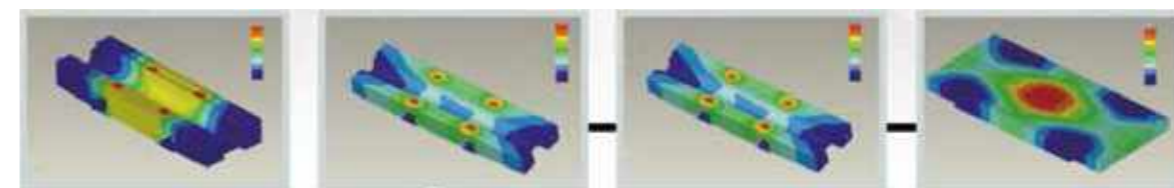


- The high compatibility for application demanding. Machine size small but it can equip with apparatus to complete different works.

Rotary table + strong tailstock + connection plates (Optional Accessories)



JHV-850 / JHV-1020

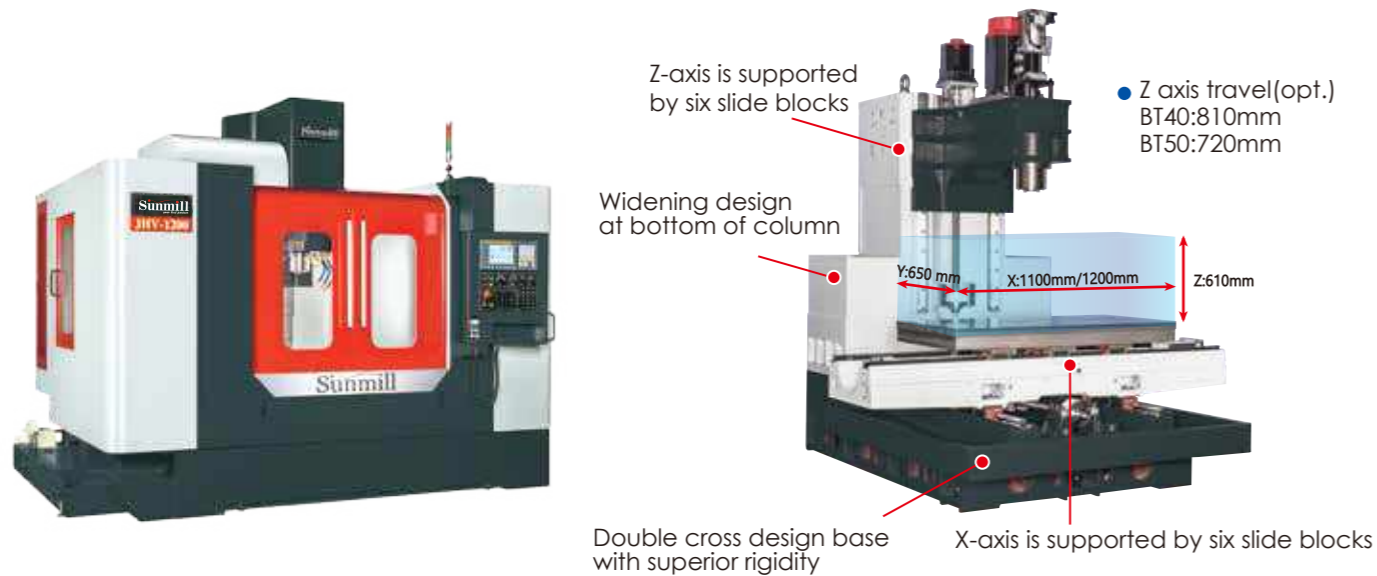


Finite Element Analysis

The structural parts on Jeeenxi machine are analyzed and designed by the advanced Finite Element Analysis. It provides a detailed analysis for structural stress/strain conditions, and ensures excellent machine rigidity and lifetime stability.

Linear Guideway Series

JHV-1100 / JHV-1200



JHV-1800 / JHV-2000



- Linear guideways on X, Y axes, less friction, rapid traverse movement. Box way on Z axis, strengthen cutting ability. JHV-1800/2000 rapid set on 20/20/15M/min.
- Pre-consideration of environmental concept, machine body design can separate oil and water, decrease the injury of nature and easily clean up. Oil Mist Collector or Dust Vacuum Cleaner are available as options.
- The column bottom with U-shaped design, is extended span guarantee heavy load and superior stability.
- The product is analyzed and designed by the advanced Finite Element Analysis; box-cage-type structures to ensure the high quality.

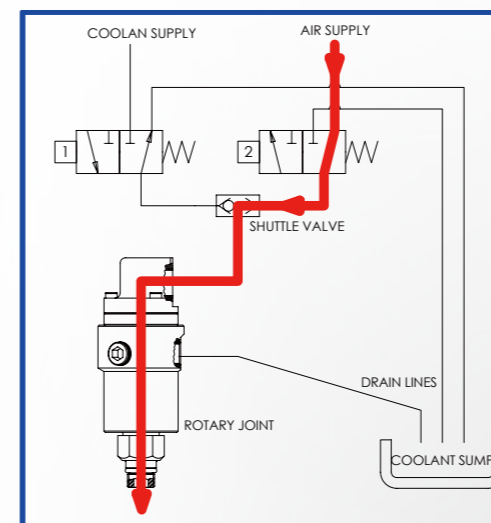
JHV-1300 / JHV-1500 / JHV-1600



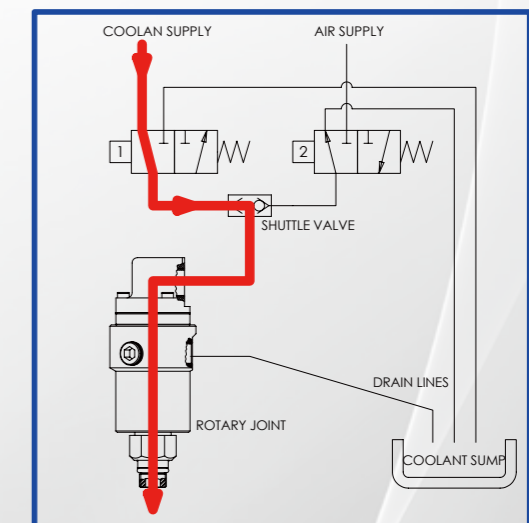
- High precision four linear guideways on Y axis to support heavy load.
- 3 axes roller linear guideways are standard accessories for JHV-1500/ JHV-1600.
- Z axis servo motor upgrade to 7kw, without counter balancing to ensure stable movement in Z axis.
- Big machine but able to be loaded by HQ container. The design reduce machine space and substantially economizes the packing transportation cost.

OPTIONAL ACCESSORIES

CUTTING WITH AIR THROUGH SPINDLE



CUTTING WITH COOLANT THROUGH SPINDLE



Square Guideway Series

JMV-1100 / JMV-1200A



JMV-1600 / JMV-1800



DESIGNED FOR MOLD & DIE OR PRECISE PARTS MACHINING !

- Fully supported 4-way bed, rigid column provides best support for heavy cutting.
- Full enclosed splash guard with wider door opening.
- 6000rpm Gear driven(Optional) is available for efficient roughing and precise finishing.
- Pre-tensioned C3 ball screws with directly coupled feeding design.
- Spindle cooling system is equipped to keep continuously stable machining.
- All structural mating surfaces are superior scraped to ensure geometric accuracy and loading balance.
- Absolute encoder servo motors directly coupled with ball screws assure best drive performance and accuracy.

JMV-1400

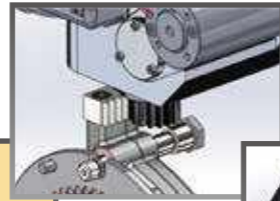
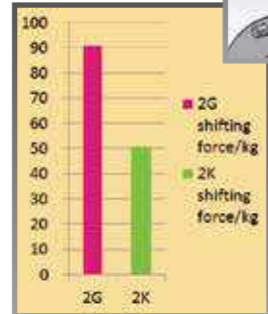
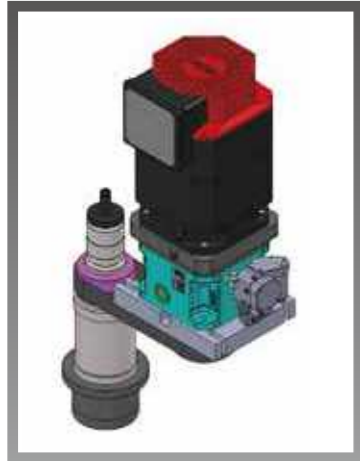


TOOLING SYSTEM

BT40	CAT40	DIN40	HSK63
BT50	CAT50	DIN50	HSK100

GTP Gearbox

The two-speed gearbox achieves output speed range, improves flexibility and machining accuracy, and effectively extends the output power of motor and increases machining torque.

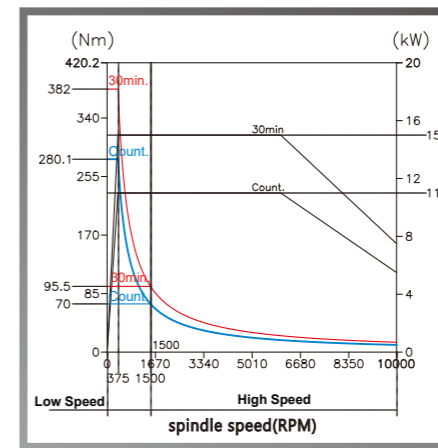


- Superior performance, less backlash, low vibration
- Reduced thermal growth, reliable shift performance
- High torque, High efficiency

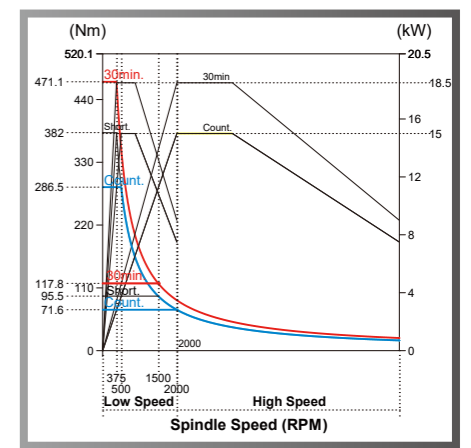
Power Chart

Model:
for linear guideway series
& JMV-1100
(optional)

α12i + 2G Gear box



β15i + 2G Gear box



2 Steps Gear driven

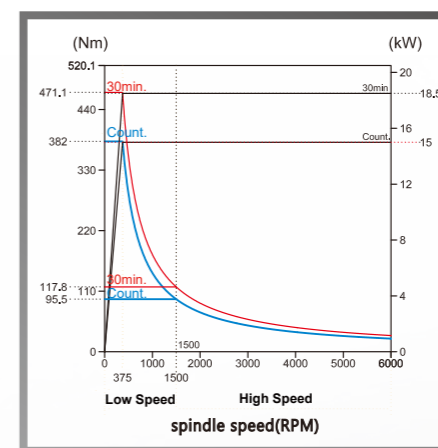
Spindle is driven by two-steps gear shifting with high power, the spindle motor produces super-strong cutting rate. It adopts JIS 1(DIN 5) level gears with various gears, bearings and spindle oil cooling system, which advance high transmission efficiency, low noise, less thermal deformation and long service life.



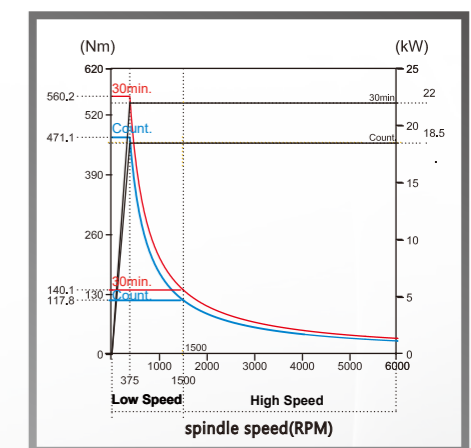
Power Chart

Model:
JMV-1200A/JMV-1400
JMV-1600/JMV-1800
(optional)

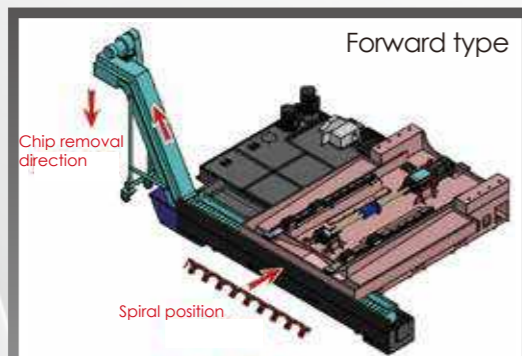
α15i + Gear driven



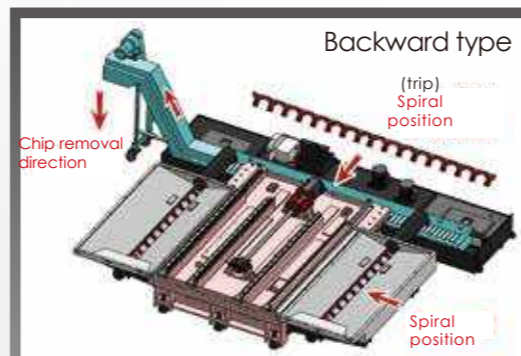
α18i + Gear driven



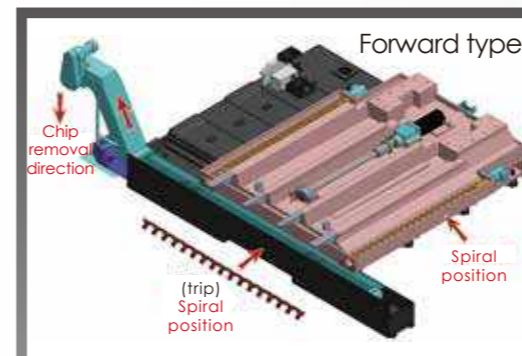
Chip conveyor



Model:
JHV-550APC/550/710/800/850/1020/
1100/1200 • JMV-1100/1200A/1400



Model:
JHV-1300/1500/1600

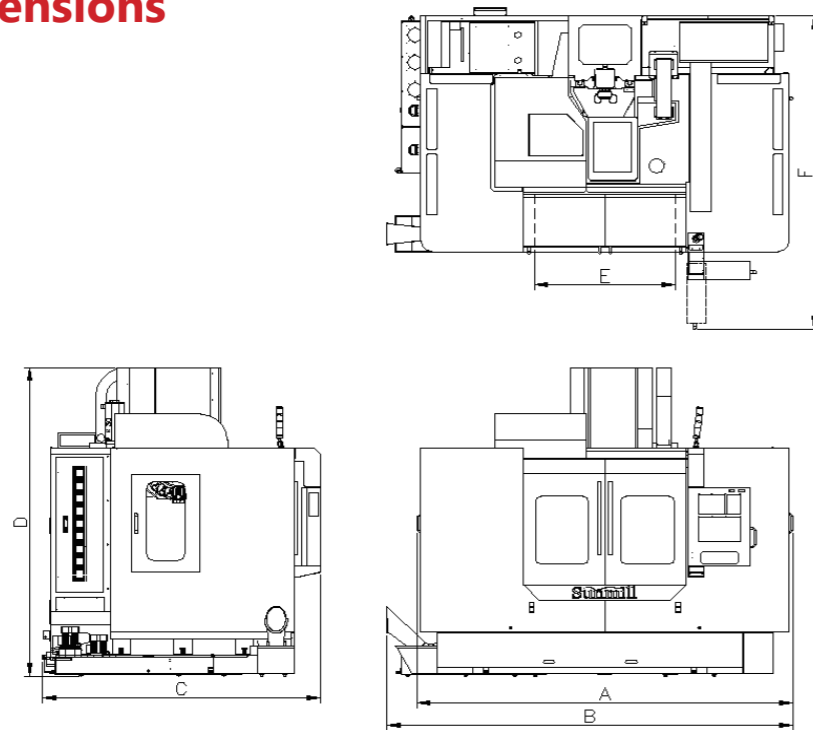


Model:
JHV-1800/2000
JMV-1600/1800

- Standard accessory: screw type chip conveyor (except JHV-550/JHV-550APC)
- Optional accessory: chain type chip conveyor
- When it mounted chain type chip conveyor, the water tank would be no spiral conveyor.



Machine Dimensions

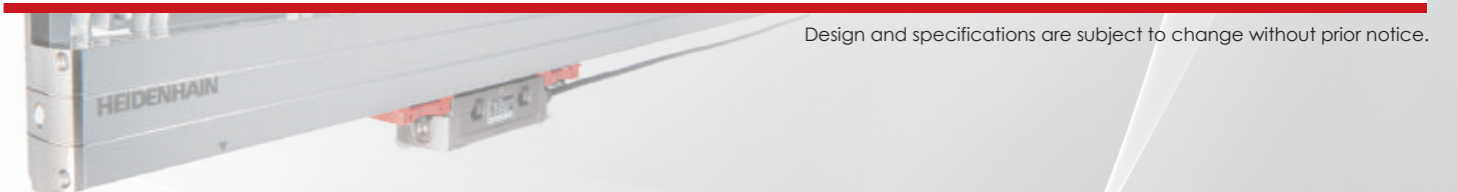


MODEL/ITEM	A	B	C	D	E	F	
JHV-550APC	2100	3100	3150	Min.2340	Min.2800	720/420	3150
JHV-550	2010	2400	2450	Min.2190	Min.2650	700	2750
JHV-710	2150	2450	2570	Min.2220	Min.2800	670	3000
JHV-800	2150	2450	2570	Min.2220	Min.2800	670	3000
JHV-850	3010	3450	2650	Min.2270	Min.2850	1140	3150
JHV-1020	3010	3450	2650	Min.2270	Min.2850	1140	3150
JHV-1100	3470	3750	2570	Min.2340	Min.2950	1300	2990
JHV-1200	3740	3750	2570	Min.2340	Min.2950	1300	2990
JHV-1300	4000	4680	4070	Min.2220	Min.2970	1500	3975
JHV-1500	4000	4680	4070	Min.2220	Min.2970	1500	3975
JHV-1600	4000	4680	4070	Min.2270	Min.2970	1500	3975
JHV-1800	5260	5710	4450	Min.2600	Min.3350	2180	4365
JHV-2000	5260	5710	4450	Min.2600	Min.3350	2180	4365
JMV-1100	3050	3470	2580	Min.2280	Min.2880	1120	3055
JMV-1200A	3270	3600	2580	Min.2350	Min.2950	1200	3100
JMV-1400	3890	4520	3900	Min.2235	Min.2845	1420	3850
JMV-1600	4250	4900	3750	Min.2610	Min.3360	1750	3850
JMV-1800	4650	5100	3750	Min.2610	Min.3360	1950	3850

● Remark: JHV-550APC B: included length of chain type chip conveyor
E: 720=preparation area when door opening; 420=operating area when door opening

Specifications

MODEL	UNIT	JHV-550APC	JHV-550	JHV-710	JHV-800
3-axis travel		Linear Guideway Series	Linear Guideway Series	Linear Guideway Series	Linear Guideway Series
X axis travel	mm	550	550	710	800
Y axis travel	mm	400	400	460	500
Z axis travel	mm	460	460	580	580
Distance from spindle nose to table surface	mm	120-580	120-580	120-700	120-700
TABLE		Auto Pallet Changer			
Table area	mm	600x400	650x410	900x500	900x500
Max.load table	kgs	200x2	250	500	500
T-slot	mm	3x14x100	3x14x100	5x18x100	5x18x100
Pallet changing time	sec	12	-	-	-
Pallet exchange method		180° changing (rotary)	-	-	-
SPINDLE					
Spindle taper	type	BT-40	BT-40	BT-40	BT-40
Belt type	rpm	10000	10000	10000	10000
Direct type-opt.	rpm	10000/12000/15000	10000/12000/15000	10000/12000/15000	10000/12000/15000
Spindle motor	kw	5.5/7.5	5.5/7.5	5.5/7.5	5.5/7.5
Spindle cooling	type	oil cooler	oil cooler	oil cooler	oil cooler
FEED RATE					
Rapid traverse(X,Y,Z)	m/min	36/36/36	36/36/36	30/30/24	30/30/24
Cutting feed rate	mm/min	1-15000	1-15000	1-15000	1-15000
X,Y,Z axes servo motor (FANUC)	kw	1.2/1.2/3.0	1.2/1.2/3.0	1.2/1.8/3.0	1.2/1.8/3.0
X,Y,Z axes servo motor (Mitsubishi)	kw	1.5/1.5/2	1.5/1.5/2	1.5/1.5/2	1.5/1.5/2
ATC					
Magazine type	type	Arm type	Arm type	Arm type	Arm type
Tool magazine capacity	pcs	24	24	24	24
Max. tool diameter	mm	75/150	75/150	75/150	75/150
Max. tool length	mm	200	200	250	250
Max. tool weight	kgs	7	7	7	7
Tool selection	type	Random	Random	Random	Random
OTHER					
Power consumption	KVA	20	20	20	20
Floor space(L x W x H)	mm	3100x3150x2800	2400x2450x2650	2450x2570x2800	2450x2570x2800
Machine weight	kgs	4800	3400	4300	4500



Design and specifications are subject to change without prior notice.

Specifications

MODEL	UNIT	JHV-850	JHV-1020	JHV-1100	JHV-1200	JHV-1300	JHV-1500	JHV-1600	JHV-1800	JHV-2000		
3-axis travel		Linear Guideway Series	Linear Guideway Series	Linear Guideway Series	Linear Guideway Series	Linear Guideway Series	Linear Guideway Series	Linear Guideway Series	Linear Guideway + Box way Series			
X axis travel	mm	850	1020	1100	1200	1300	1500	1600	1800	2000		
Y axis travel	mm	550	550	650	650	750	750	750	900	900		
Z axis travel	mm	580	580	610	810 [BT40] opt.	720 [BT50] opt.	700 [850] opt.	700 [850] opt.	750 [1000] opt.	750 [1000] opt.		
Distance from spindle nose to table surface	mm	120-700	120-700	120-730	120-930	150-870	150-850 [150-1000 opt.]	100-800 [100-950 opt.]	100-800 [100-950 opt.]	150-900 [150-1150 opt.]	150-900 [150-1150 opt.]	
TABLE												
Table area	mm	1020x550	1190x550	1250x630	1350x630	1300x750	1550x750	1650x750	1850x900	2050x900		
Max.load table	kgs	600	800	800	800	1000	1000	1200	2500	3000		
T-slot	mm	4x18x125	4x18x125	5x18x100	5x18x100	5x18x150	5x18x150	5x18x150	6x18x145	6x18x145		
SPINDLE												
Spindle taper	type	BT- 40	BT-40	BT-40 [BT-50 opt.]	BT-40 [BT-50 opt.]	BT-40[BT-50 opt.]	BT-40[BT-50 opt.]	BT-40[BT-50 opt.]	BT-50	BT-50		
Belt type	rpm	10000	10000	10000	10000	10000	10000	10000	6000	6000		
Direct type-opt.	rpm	10000/12000/15000	10000/12000/15000	10000/12000/15000	10000/12000/15000	10000/12000/15000	10000/12000/15000	10000/12000/15000	10000	10000		
Spindle motor	kw	7.5 / 11	7.5 / 11	7.5 / 11	7.5 / 11	11 / 15	11 / 15	11 / 15	15 / 18.5	15 / 18.5		
Spindle cooling	type	oil cooler	oil cooler	oil cooler	oil cooler	oil cooler	oil cooler	oil cooler	oil cooler	oil cooler		
FEED RATE												
Rapid traverse(X,Y,Z)	m/min	30 / 30 / 24	30 / 30 / 24	30 / 30 / 24	30 / 30 / 24	24 / 24 / 24	24 / 24 / 24	24 / 24 / 24	20 / 20 / 15	20 / 20 / 15		
Cutting feed rate	mm/min	1-15000	1-15000	1-15000	1-15000	1-15000	1-15000	1-15000	1-10000	1-10000		
X,Y,Z axes servo motor (FANUC)	kw	1.8 / 1.8 / 3.0	1.8 / 1.8 / 3.0	3 / 3 / 3	3 / 3 / 3	4 / 4 / 7	4 / 4 / 7	4 / 4 / 7	7 / 7 / 7	7 / 7 / 7		
X,Y,Z axes servo motor (Mitsubishi)	kw	3.5 / 3.5 / 3.5	3.5 / 3.5 / 3.5	3.5 / 3.5 / 3.5	3.5 / 3.5 / 3.5	4.5 / 4.5 / 7	4.5 / 4.5 / 7	4.5 / 4.5 / 7	7 / 7 / 7	7 / 7 / 7		
ATC												
Magazine type	type	Arm type	Arm type	Arm type	Arm type	Arm type	Arm type	Arm type	Arm type	Chain type	Arm type	Chain type
Tool magazine capacity	pcs	24	24	24	24	24	24	24	24	32[opt.]	24	32[opt.]
Max. tool diameter	mm	75 / 150	75 / 150	75 / 150	75 / 150	75 / 150	75 / 150	75 / 150	110 / 220	125 / 250	110 / 220	125 / 250
Max. tool length	mm	250	250	250	250	300	300	300	300	300	300	300
Max. tool weight	kgs	7	7	7	7	7	7	7	15	15	15	15
Tool selection	type	Random	Random	Random	Random	Random	Random	Random	Random	Random	Random	Random
OTHER												
Power consumption	KVA	20	20	20	20	30 [40 opt.]	30 [40 opt.]	30 [40 opt.]	40	40		
Floor space(L x W x H)	mm	3450x2650x2850	3450x2650x2850	3750x2600x2950	3750x2600x2950	4680x4070x2970	4680x4070x2970	4680x4070x2970	5710x4450x3350	5710x4450x3350		
Machine weight	kgs	6500	6800	7300	7800	9000	10000	11000	17500	18500		

● Design and specifications are subject to change without prior notice.

Specifications

MODEL	UNIT	JMV-1100	JMV-1200A	JMV-1400	JMV-1600	JMV-1800	
3-axis travel		Box way Series		Box way Series		Box way Series	
X axis travel	mm	1100	1200	1400	1600	1800	
Y axis travel	mm	600	650	720	850	850	
Z axis travel	mm	600 [120-720*]	600 [120-720*]	610 [150-760*]	750	750	
Z axis travel(BT40)-opt.	mm	-	800 [120-920*]	700 [150-850*]	670 [120-790*]-opt.	670 [120-790*]-opt.	
Z axis travel(BT50 belt type)-opt.	mm	-	720 [150-870*]	680 [170-850*]	750 [150-900*]-st.	750 [150-900*]-st.	
Z axis travel(BT50 gear head)-opt.	mm	-	600 [120-720*]	680 [150-850*]	750 [150-900*]-opt.	750 [150-900*]-opt.	
TABLE							
Table area	mm	1250x650	1350x650	1550x700	1800x850	2000x850	
Max.load table	kgs	880	1000	2000	2000	2500	
T-slot	mm	5x18x125	5x18x125	5x18x130	5x18x150	5x18x150	
SPINDLE							
Spindle taper	type	BT-40	BT-40	BT-40	BT-50	BT-50	
Belt type	rpm	10000	10000	10000	6000	6000	
Direct type-opt.	rpm	10000/12000/15000	10000/12000/15000	10000/12000/15000	Belt type	Gear head[opt.]	
Spindle motor	kw	7.5 / 11	7.5 / 11	11 / 15	15 / 18.5	15 / 18.5	
Spindle cooling	type	oil cooler	oil cooler	oil cooler	oil cooler	oil cooler	
FEED RATE							
Rapid traverse(X,Y,Z)	m/min	18 / 18 / 15	18 / 18 / 15	18 / 18 / 15	18 / 18 / 15	18 / 18 / 15	
Cutting feed rate	mm/min	1-10000	1-10000	1-10000	1-10000	1-10000	
X,Y,Z axes servo motor (FANUC)	kw	2.5 / 2.5 / 2.5	2.5 / 2.5 / 2.5	3 / 3 / 3	7 / 7 / 7	7 / 7 / 7	
X,Y,Z axes servo motor (Mitsubishi)	kw	3.5 / 3.5 / 3.5	3.5 / 3.5 / 3.5	3.5 / 3.5 / 3.5	7 / 7 / 7	7 / 7 / 7	
ATC							
Magazine type	type	Arm type	Arm type	Arm type	Arm type	Chain type[opt.]	
Tool magazine capacity	pcs	24	24	24	24	32	
Max. tool diameter	mm	75 / 150	75 / 150	75 / 150	110 / 220	125 / 250	
Max. tool length	mm	300	300	300	300	300	
Max. tool weight	kgs	7	7	7	15	15	
Tool selection	type	Random	Random	Random	Random	Random	
OTHER							
Power consumption	KVA	20	20	30	40	40	
Floor space(L x W x H)	mm	3470x2580x2880	3600x2580x2950	4520x3900x2845	4900x3750x3360	5100x3750x3360	
Machine weight	kgs	7500	8200	11000	14000	16000	

● Remarks**1 : distance from spindle nose to table surface

● Design and specifications are subject to change without prior notice .

Specifications

● Basic Version ★ Option — Not possible

MODEL	JHV-550APC	JHV-550	JHV-710/800	JHV-850/1020	JHV-1100/1200	JHV-1300/1500/1600	JHV-1800/2000	JMV-1100/1200A/1400	JMV-1600/1800
Full splash guard	●	●	●	●	●	●	●	●	●
Belt type spindle speed 10000rpm,BT40	●	●	●	●	●	●	★	●	—
Arm type ATC 24 tools,BT40	●	●	●	●	●	●	★	●	★
Ring coolant for spindle	●	●	●	●	●	●	●	●	●
Cooling system	●	●	●	●	●	●	●	●	●
Air blast/release tool blast/air curtain	●	●	●	●	●	●	●	●	●
Rigid tapping	●	●	●	●	●	●	●	●	●
Auto POWER OFF	●	●	●	●	●	●	●	●	●
Auto lubrication system	●	●	●	●	●	●	●	●	●
Spindle oil cooler unit	●	●	●	●	●	●	●	●	●
Heat exchanger	●	●	●	●	●	●	●	●	●
Telescopic covers for 3 axes	●	●	●	●	●	●	●	●	●
LED Work lamp	●	●	●	●	●	●	●	●	●
LED Three-color call light	●	●	●	●	●	●	●	●	●
Tool box	●	●	●	●	●	●	●	●	●
Coolant gun	●	●	●	●	●	●	●	●	●
Air gun	●	●	●	●	●	●	●	●	●
Drawer type chip tank	—	●	★	★	—	—	—	—	—
Screw type chip conveyor+chip cart	—	★	●	●	●	●	●	●	●
Chain type chip conveyor+chip cart	●	★	★	★	★	★	★	★	★
Transformer	★	★	★	★	★	★	★	★	★
CE mark	★	★	★	★	★	★	★	★	★
Arm type ATC 30 tools,BT40	—	—	—	★	★	★	★	★	★
Chain type ATC 40 tools,BT40	—	—	—	—	—	★	★	★	★
Arm type ATC 24 tools,BT50	—	—	—	—	★	★	●	★	●
Chain type ATC 32 tools,BT50	—	—	—	—	—	—	★	—	★
Chain type ATC 40 tools,BT50	—	—	—	—	—	—	★	—	★
Belt type spindle speed 12000rpm,BT40	★	★	★	★	★	★	★	★	—
Belt type spindle speed 6000rpm,BT50	—	—	—	—	★	★	●	★	●
Direct drive spindle speed 10000/12000/15000 rpm,BT40	★	★	★	★	★	★	★	★	★
Built- in type spindle speed 24000/30000/36000 rpm	★	★	★	—	—	—	—	—	—
Built- in type spindle speed 16000/20000/24000/30000 rpm	—	—	—	★	★	★	★	—	—
Rear coolant flushing device	★	★	★	★	★	★	★	★	★
Oil skimmer	★	★	★	★	★	★	★	★	★
Air conditioner for electrical cabinet	★	★	★	★	★	★	★	★	★
Coolant through spindle (With sealed splash guard)	★	★	★	★	★	★	★	★	★
Roller type linear guideway	★	★	★	★	★	★	●	—	—
Auto pallet exchanger	●	—	—	—	—	—	—	—	—
Gear box	—	—	—	★	★	★	★	—	—
Gear headstock*Armless ATC not available	—	—	—	—	—	—	—	★	★
4th axis rotary table	—	★	★	★	★	★	★	★	★
4/5th axes tilting and rotary table	—	★	★	★	★	★	★	★	★